

Transporter

Current Flow Diagram

No. 129 / 1

Edition 04.2008

Seat heating

- **Seat with leather cover**
from January 2006

Notes:

For information concerning

- ◆ Position of relays and fuses
- ◆ Multi-pin connections
- ◆ Control units and relays
- ◆ Earth connections

→ List of Fitting Locations!

For information concerning

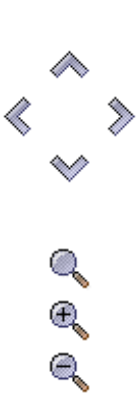
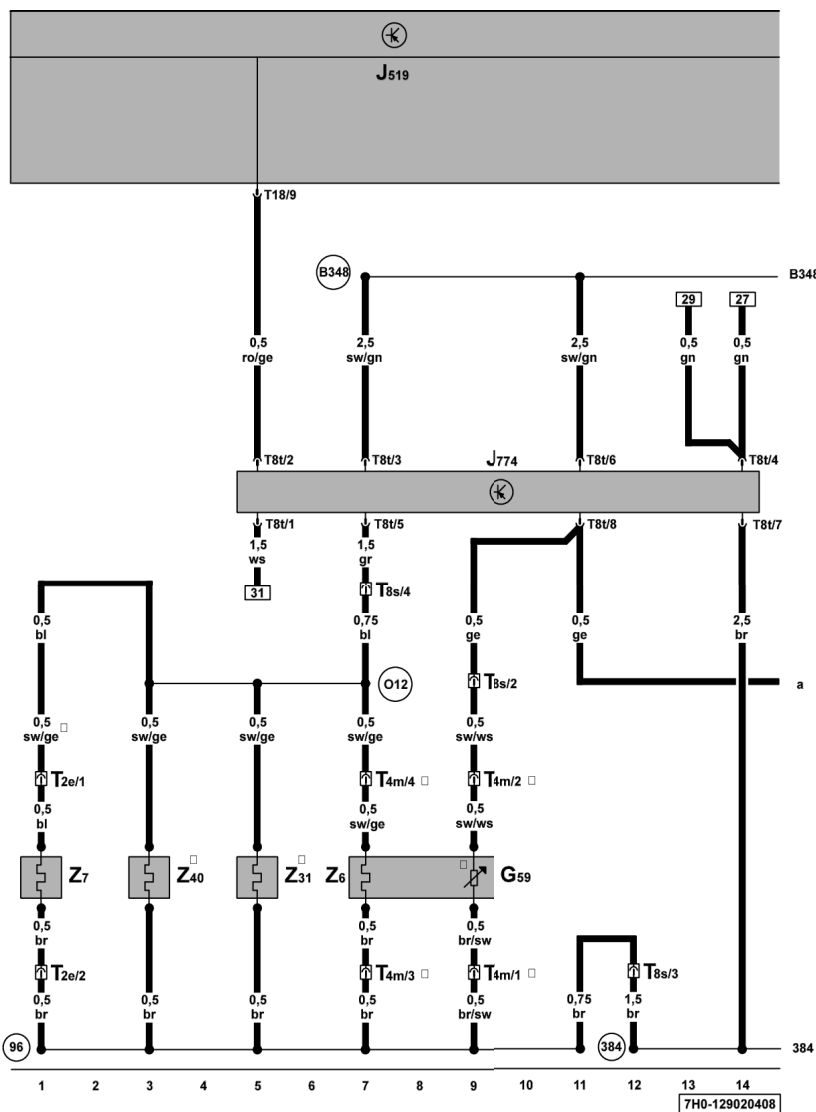
- ◆ Fault Finding Programs

→ guided fault finding

Transporter

Current Flow Diagram

No. 129 / 2



Heated front seats control unit, heated driver seat, driver seat temperature sensor

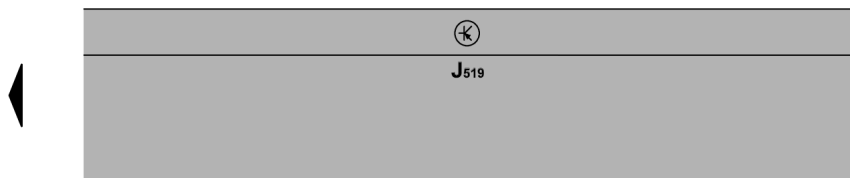
- G59 - Driver seat temperature sensor
- J519 - Onboard supply control unit
- J774 - Heated front seats control unit
- T2e - 2-pin connector, black, in driver seat
- T4m - 4-pin connector, black, in driver seat
- T8s - 8-pin connector, black, under driver seat
- T8t - 8-pin connector
- T18 - 18-pin connector, black
- Z6 - Heated driver seat cushion
- Z7 - Heated driver seat backrest
- Z31 - Driver seat cushion lateral support heater
- Z40 - Driver seat lateral support heater 2
- 96 - Earth connection 1, in seat heating wiring harness
- 384 - Earth connection 19, in main wiring harness
- B348 - Connection 1 (75A), in main wiring harness
- O12 - Connection 1, in seat heating wiring harness
- * - for models with lateral support heater only

- ws = white
- sw = black
- ro = red
- br = brown
- gn = green
- bl = blue
- gr = grey
- li = purple
- ge = yellow
- or = orange
- rs = pink

Transporter

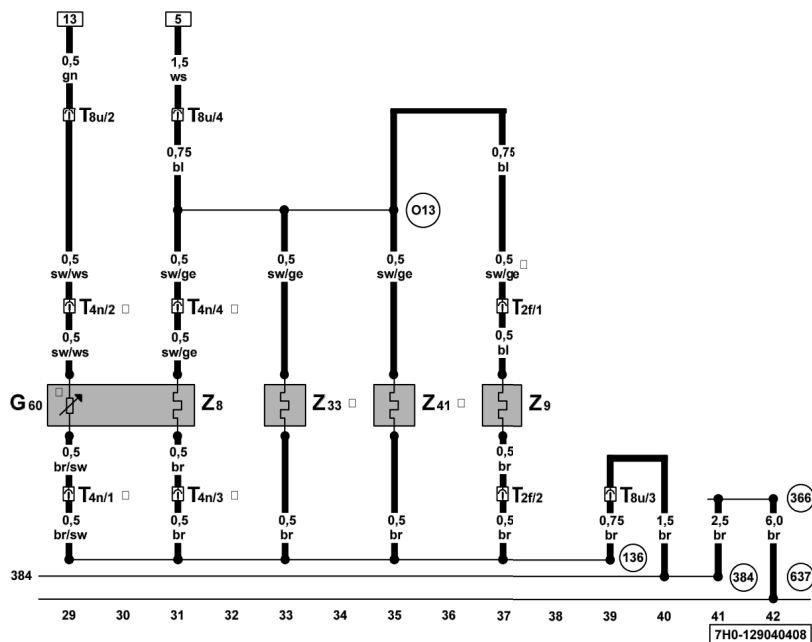
Current Flow Diagram

No. 129 / 4



Front passenger seat temperature sensor, heated front passenger seat

- G60 - Front passenger seat temperature sensor
- J519 - Onboard supply control unit
- T2f - 2-pin connector, black, in front passenger seat
- T4n - 4-pin connector, black, in front passenger seat
- T8u - 8-pin connector, black, under front passenger seat
- Z8 - Heated front passenger seat cushion
- Z9 - Heated front passenger seat backrest
- Z33 - Front passenger seat lateral support heater
- Z41 - Front passenger seat lateral support heater 2
- 136 - Earth connection 2, in seat heating wiring harness
- 366 - Earth connection 1, in main wiring harness
- 384 - Earth connection 19, in main wiring harness
- 637 - Earth point, airbag control unit
- O13 - Connection 2, in seat heating wiring harness
- * - for models with lateral support heater only



- ws = white
- sw = black
- ro = red
- br = brown
- gn = green
- bl = blue
- gr = grey
- li = purple
- ge = yellow
- or = orange
- rs = pink